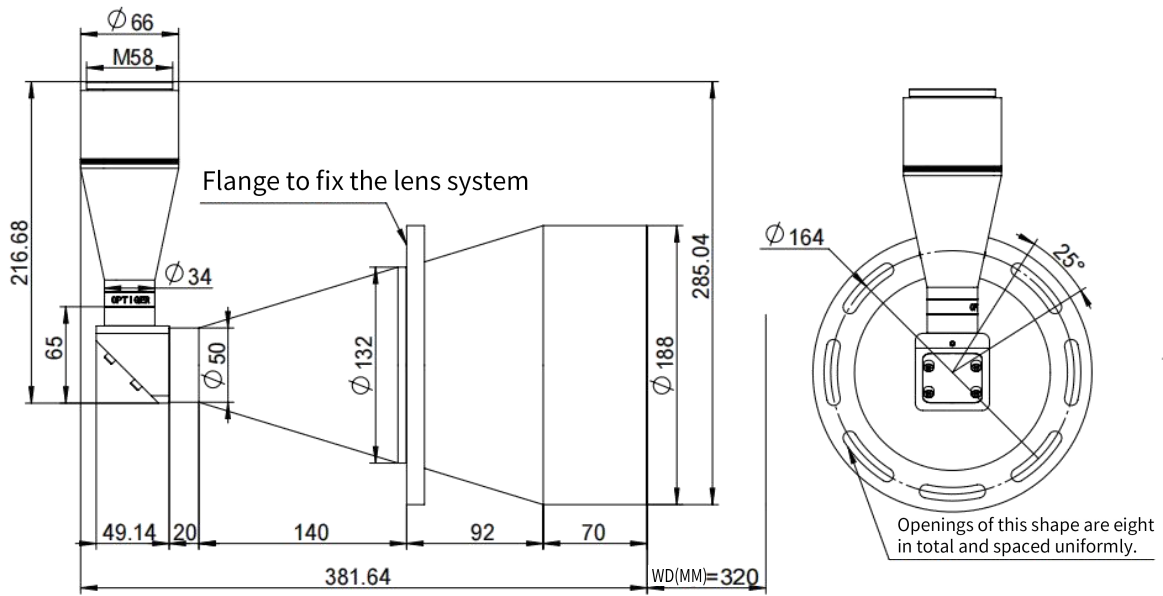


TTL39.2-155-320F/M58



Unit: mm

Specifications

Max. FOV(mm)	155
Sensor Size (mm)	39.2
Magnification	0.252
WD (mm)	320±5
Effective F-number	12
Object-side Resolution (um)	31.83
DOF (mm)	15
Measured Telecentricity	0.05°
Measured Distortion	0.05%
Mount	F/M58-Mount
Length(mm)	381.64
Diameter (mm)	285.04
Weight (g)	6460

DESIGNED IN GERMANY
ULTRA HIGH PERFORMANCE BI-TELECENTRIC LENSES

Features

Available for cameras with sensor size of 35mm

FOV (mm*mm)

APS-C(22X15)	87.3×59.5
35mmSensor Size(28×21)	111.1×83.3
Max Sensor Size(31X24.1)	123.0×95.6