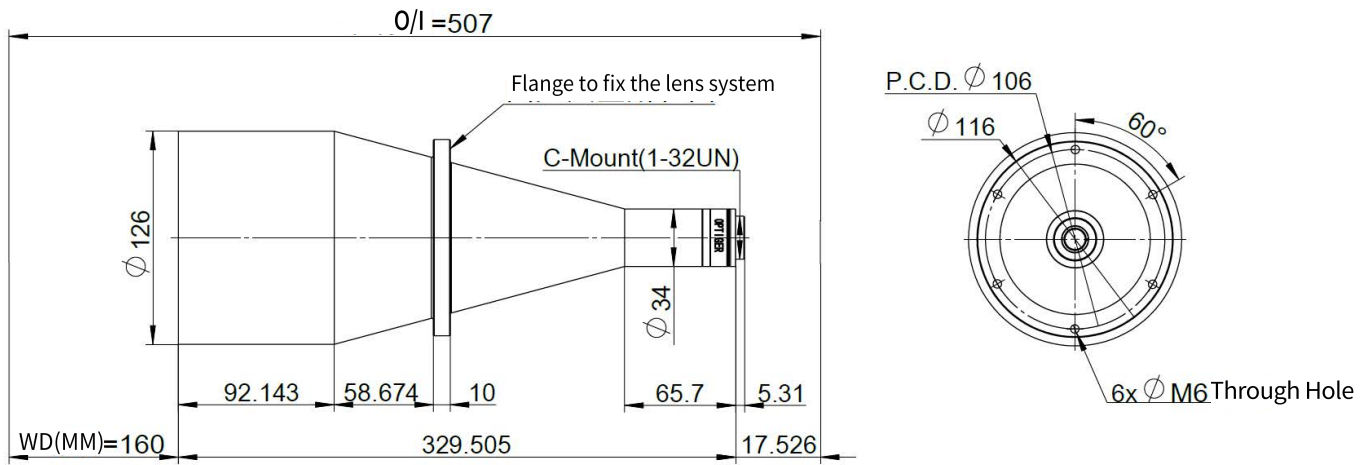


# TTL08-105-160C-D



Unit: mm

## Specifications

|                             |         |
|-----------------------------|---------|
| Max. FOV(mm)                | 105     |
| Sensor Size (mm)            | 8       |
| Magnification               | 0.076   |
| WD (mm)                     | 160±5   |
| Effective F-number          | 16      |
| Object-side Resolution (um) | 140.91  |
| DOF (mm)                    | 220.50  |
| Measured Telecentricity     | 0.05°   |
| Measured Distortion         | 0.05%   |
| Mount                       | C-Mount |
| Length(mm)                  | 329.51  |
| Diameter (mm)               | 126     |
| Weight (g)                  | 3116    |

**DESIGNED IN GERMANY**  
**DEEP DOF BI-TELECENTRIC LENSES**

## Features

Available for cameras with sensor size of 1/2"

Available for cameras with pixel size of 3.45um

## FOV (mm\*mm)

1/3"(4.8X3.6) 63.0×47.3

1/2"(6.4X4.8) 84.0×63.0